

SS316L Progressive Universal Wall Basin/Bath Mixer Body Only

Specifications

Finish & SKU

NRUB007

Watermark License

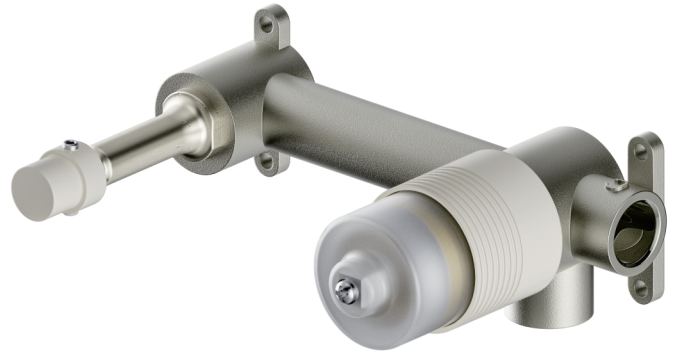
WM-060073

Temperature Rating

Min 1°C-Max 75°C

Pressure Rating

Min 150kpa-Max 500kpa

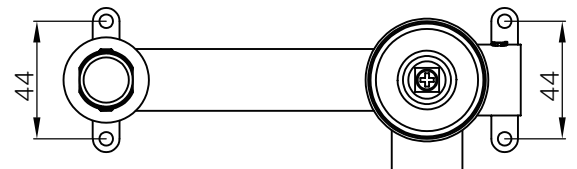
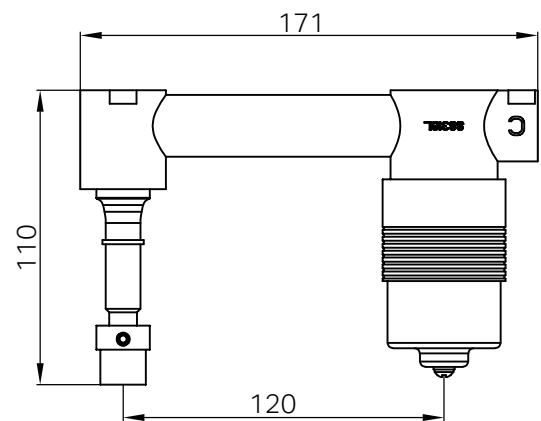


Warranty



Features

- Premium SS316L Stainless Steel – Superior corrosion resistance and durability.
- Progressive Cartridge Control – Smooth water flow and temperature adjustment.
- Durable & Hygienic – Resistant to rust and ideal for long-term use.



Maintenance And Care

- Regularly check the mixer and connections for signs of wear or leaks.
- Clean the tap with mild soapy water to maintain its appearance, avoiding harsh chemicals and abrasive materials that may damage the finish.

- Dimensions are nominal measurements only.