

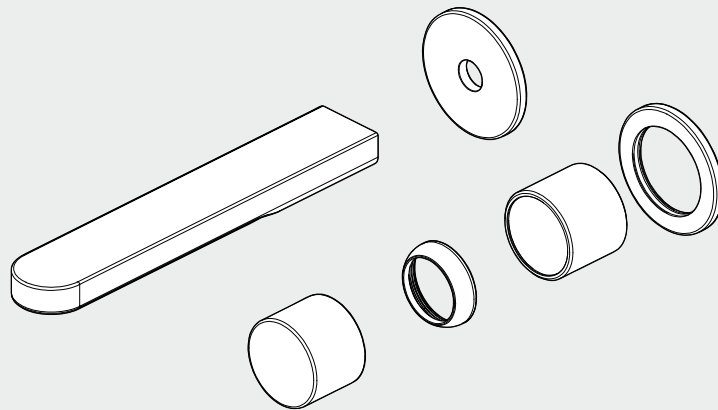
Pure SS316L Wall Basin/Bath Mixer Separate Back Plate

Nero

Trim Kits Only



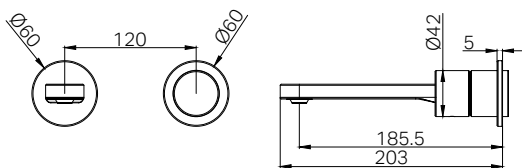
Lead Free



Version:202506



Drawing



Specifications

Watermark License

WM-060073


Temperature Rating


Min 1°C-Max 75°C

Pressure Rating

Min 150kpa - Max 500kpa

Finish & SKU

 **Brushed Bronze**
NR172210btBZ

 **Graphite**
NR172210btGR

 **Brushed Gold**
NR172210btBG

 **Brushed Nickel**
NR172210btBN

Packaging Includes

- 1x Spout
- 2x Plates
- 1x Handle
- 1x Cartridge Bell
- 1x Dressing Ring
- 1x Installation Kit
- 1x Non-Restrictive Aerator

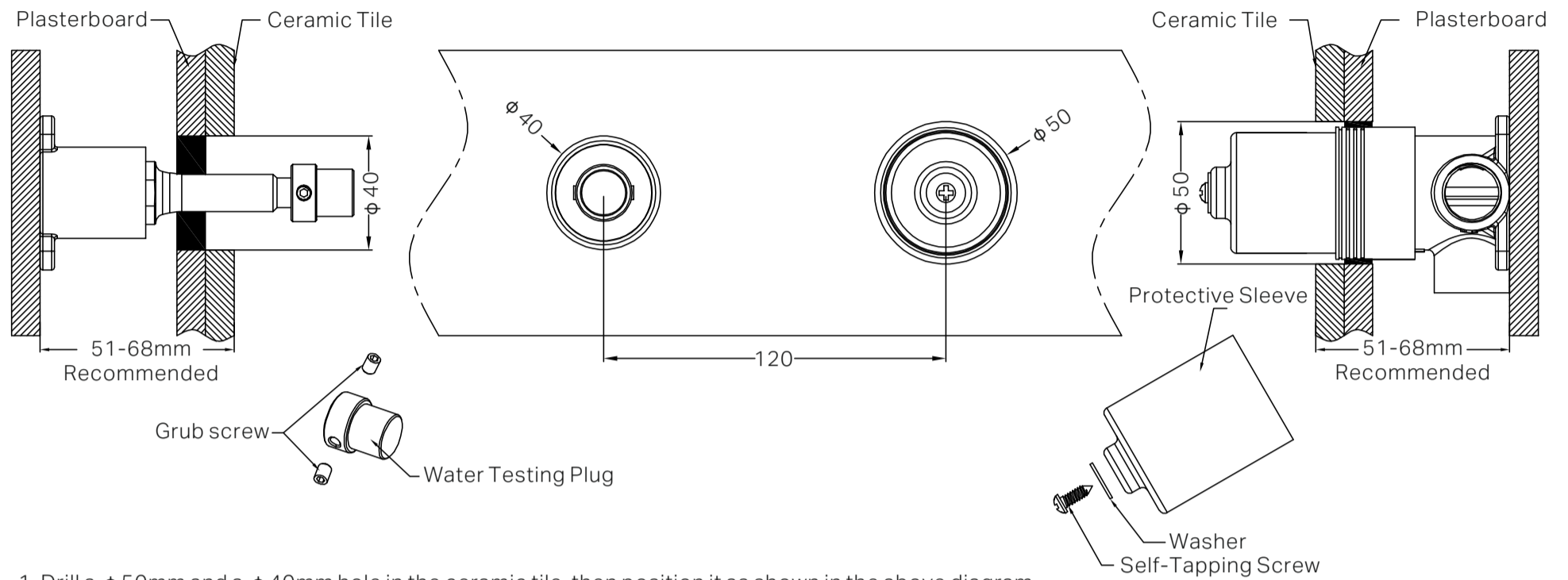
*Dimensions are nominal measurements only.

*Includes an additional non-restrictive aerator for bath use.

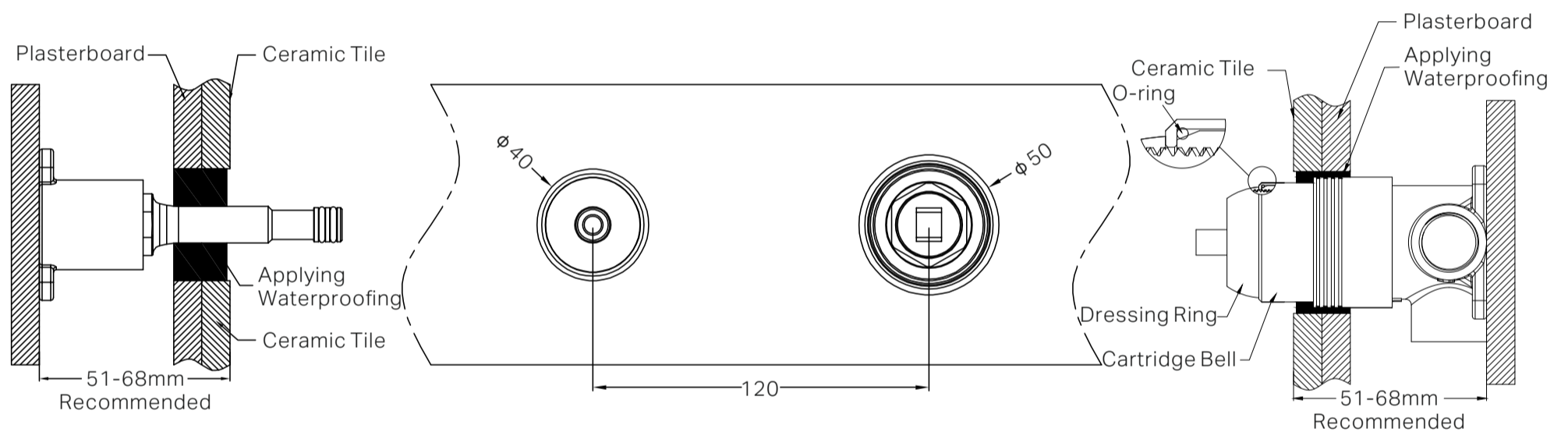
Installation Instruction

GENERAL INSTRUCTIONS:

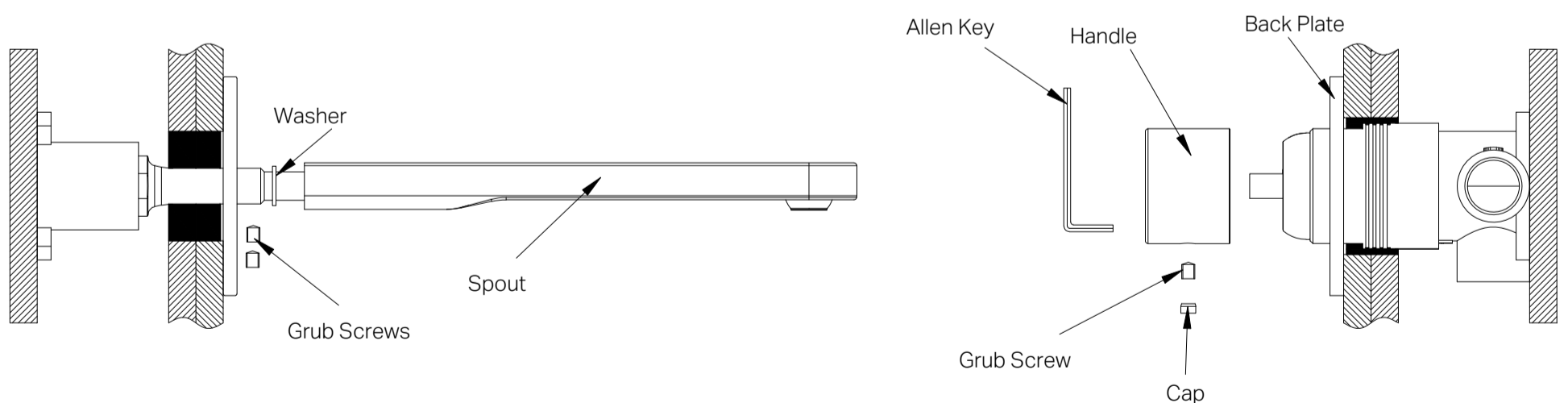
- This product must be installed by a licensed plumber. Ensure that your plumbing installation complies with the Australian/New Zealand Standard AS/NZS 3500.
- All pipework must be thoroughly flushed prior to the installation of the mixer. In-line filters must be fitted on both hot and cold supplies to prevent foreign particles from damaging the ceramic cartridge.
- All outlets used primarily for personal hygiene must deliver water at a safe temperature in accordance with regional regulations.



1. Drill a $\phi 50\text{mm}$ and a $\phi 40\text{mm}$ hole in the ceramic tile, then position it as shown in the above diagram.
2. Undo the self-taping screw to remove the protective sleeve, and release the grub screws to remove the water testing plug.



3. Insert the O-ring to the cartridge bell groove, and slide the dressing ring onto cartridge.
4. Apply waterproof treatment to the area indicated in the diagram above.
5. Tighten up the dressing ring on the cartridge bell.



6. Slide the back plates and washer onto the wall, set the spout in place, and secure it tightly using the grub screw.
 7. Position the handle, tighten it with a grub screw using an Allen key, and cap the grub screw hole.
- Please note: there is a washer between back plate and the spout.

MAINTENANCE AND CARE:

- Regularly check the mixer and connections for signs of wear or leaks.
- Clean the tap with mild soapy water to maintain its appearance, avoiding harsh chemicals and abrasive materials that may damage the finish.

FINAL INSPECTION:

- Ensure the tap operates smoothly and that there are no leaks at the connections.
- Clean the area and the newly installed tap with a soft cloth to remove any installation residues.

Nero

