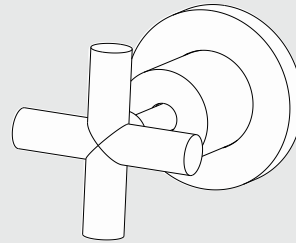
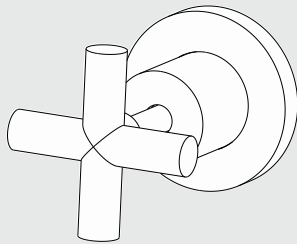


X Plus Wall Tops Assembly

Nero

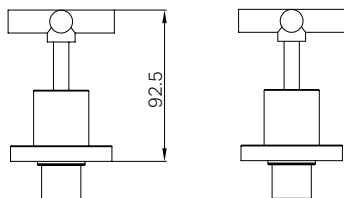
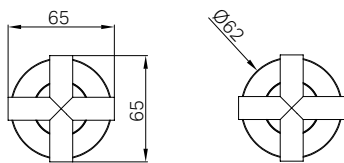


Lead Free



Versions:202508

Top/Back



Specifications

Watermark License

WM-060073

Temperature Rating

Min 1°C - Max 75°C

Pressure Rating

Min 150kpa - Max 500kpa

Packaging Includes

2x Cross Handles

Finish & SKU

● **Matte Black**
NR201609MB

● **Brushed Gold**
NR201609BG

● **Brushed Nickel**
NR201609BN

Note: In Wall Body/Breach Is Not Included.
Can be Purchased Separately (Code: NR5230071)

*Dimensions are nominal measurements only.

INSTALLATION INSTRUCTIONS

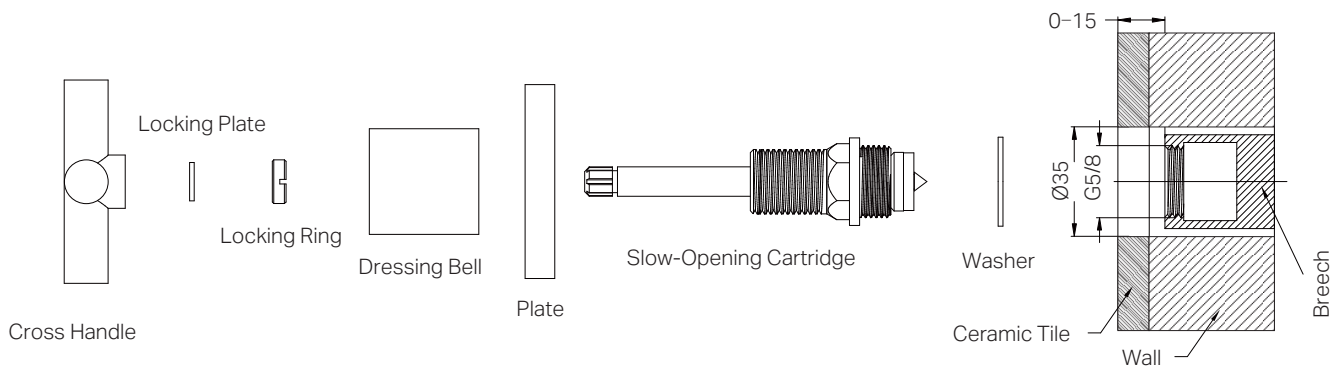
GENERAL INSTRUCTIONS:

- This product must be installed by a licensed plumber. Ensure that your plumbing installation complies with the Australian/New Zealand Standard AS/NZS 3500.
- All pipework must be thoroughly flushed prior to the installation of the mixer. In-line filters must be fitted on both hot and cold supplies to prevent foreign particles from damaging the ceramic cartridge.
- All outlets used primarily for personal hygiene must deliver water at a safe temperature in accordance with regional regulations.

NOTE:

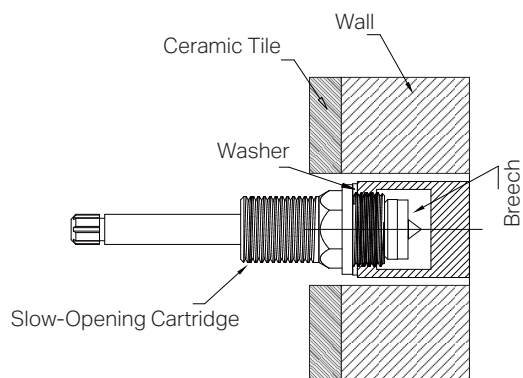
- Do not perform hydrostatic testing with the mixer installed. Damage to the ceramic cartridge may occur.
- Do not remove the ceramic cartridge during installation.
- After installation, all connections must be checked for leaks.
- This mixer is not recommended for use in uncontrolled heating systems such as wet-backs or solar heating units unless a suitable tempering valve is fitted.
- If limited water flow is experienced, locate aerator and filter washers and clean away foreign material as required.
- It is the responsibility of the plumber to ensure a waterproof seal is achieved between the product and mounting surface. If in doubt about the quality of the seal, remove the product and reinstall.

PART NAMES

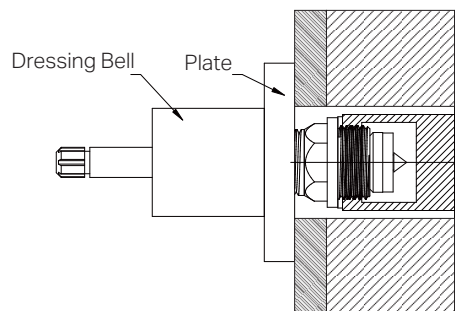


Note: Pre-install the standard tap breech as shown in the diagram above

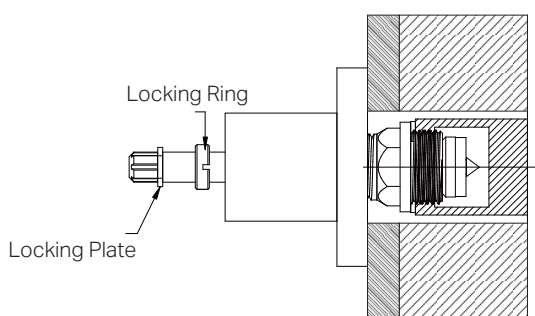
INSTALLATION STEPS



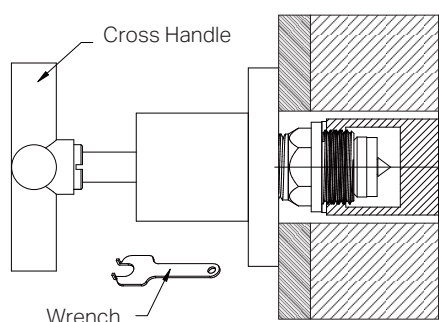
1. Fit the washer onto the slow-opening cartridge and screw the cartridge onto the breech tightly.



2. Slide the plate onto the slow-opening cartridge. Then, screw the dressing bell tightly onto the slow-opening cartridge.



3. Slide the locking ring onto the stem of the slow-opening cartridge. Then, fit the locking plate onto the groove of the slow-opening cartridge.



4. Fit the cross handle onto the stem of the slow-opening cartridge. Adjust it to the correct orientation, then tighten the locking ring to secure it.

FINAL INSPECTION:

- Check all connections to ensure they are firmly secured and free of leaks, but not overtightened to avoid damaging any components.

MAINTENANCE AND CARE:

- Regularly check the mixer and connections for signs of wear or leaks.
- Clean the tap with mild soapy water to maintain its appearance, avoiding harsh chemicals and abrasive materials that may damage the finish.

Nero

