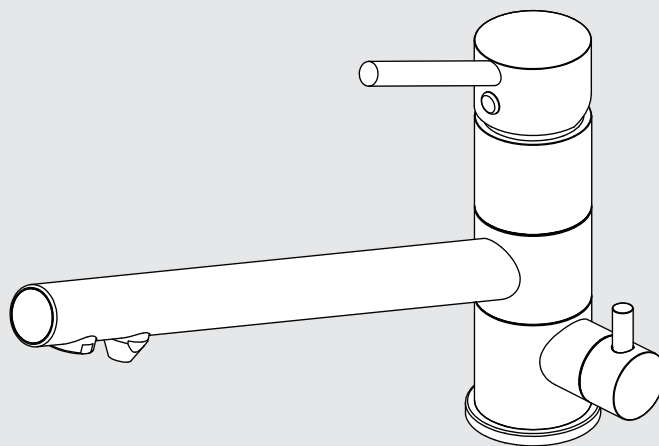


# Dolce Three-Way Kitchen Mixer

# Nero



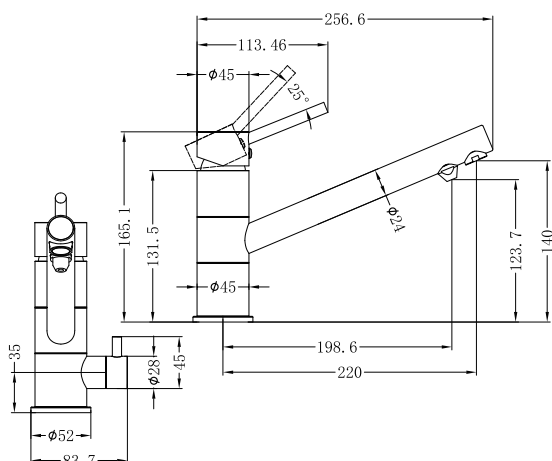
Lead Free



Versions:202506



## Drawing



## Specifications

### Watermark License

WM-060073

### Temperature Rating

Min 1°C-Max 75°C

### Pressure Rating

Min 150kpa - Max 500kpa

## Finish & SKU

● Chrome  
NR250807gCH

● Matte Black  
NR250807gMB

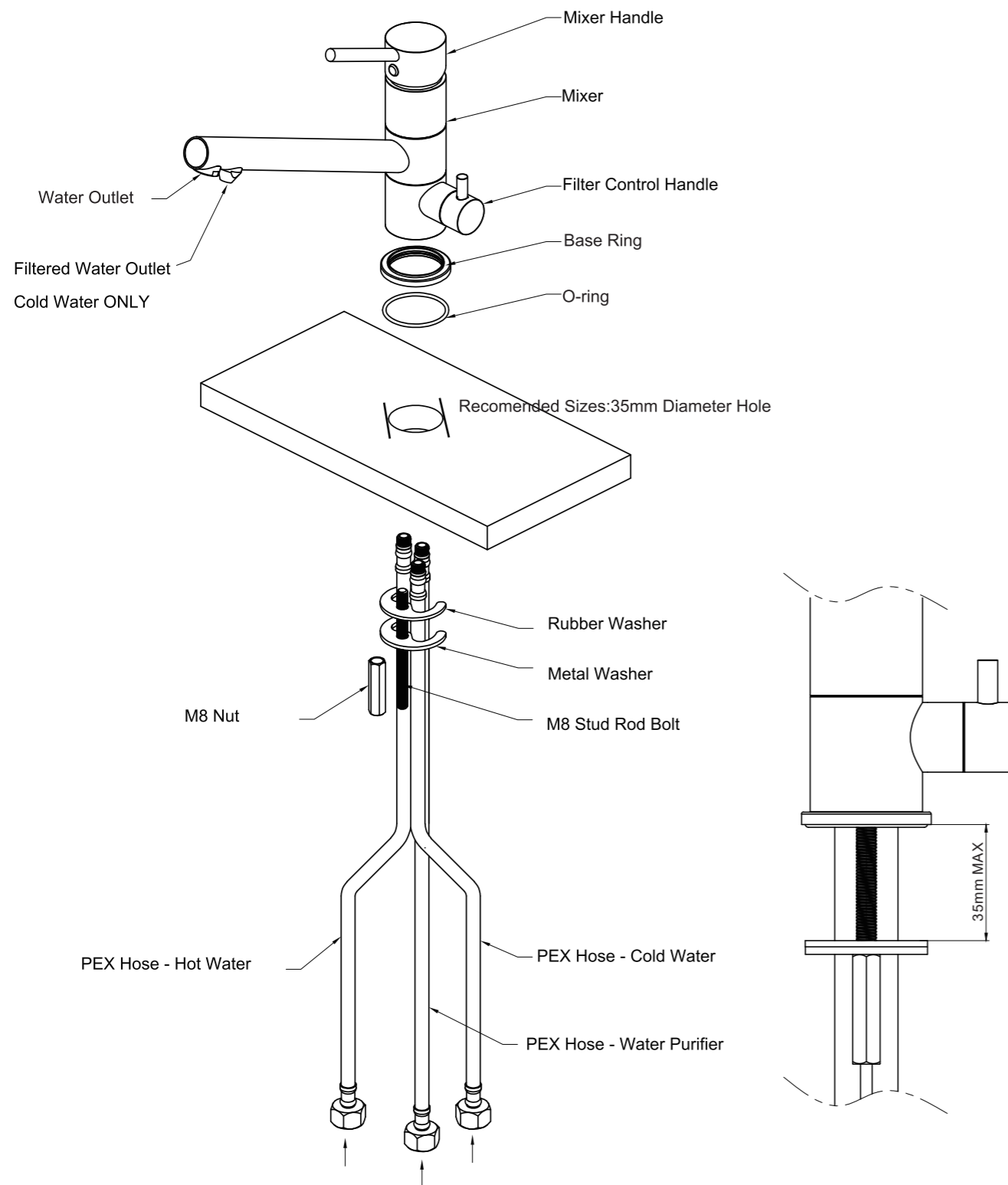
## Packaging Includes

- 1x Three-Way Kitchen Mixer
- 3x Flexible Hoses
- 1x Mounting Kit
- 1x Plate

\*Dimensions are nominal measurements only.

# Installation Instruction

IMPORTANT: Read all instructions before installing.



## Safety and Compliance

Nero recommends this product is installed by a licensed plumber in compliance with all relevant regional regulations. The product must be installed in compliance with AS/NZS 3500.

## Installation Guidance

### Preparation

Ensure that the installation surface is ready, If there is no pre-drilled hole, drill a 35mm diameter hole in the desired location.

### Assembling the Tap

1. Attach the Rubber Washer and Metal Washer onto the M8 Stud Rod Bolt.
2. Insert the above assembly through the base of the Mixer Body.
3. Slide the Base ring and the O-ring onto the base of the Mixer Body.
4. Insert the Mixer Body through the drilled hole in the installation surface.
5. Secure the Mixer Body from underneath the surface using the M8 Nut. Ensure it is tight and stable.

### Connecting Water Supplies

1. Connect the Hot Water PEX Hose to the hot water supply line.
2. Connect the Cold Water PEX Hose to the cold water supply line.
3. Connect the Water Purifier PEX Hose to the water purifier unit.
4. Check all connections for tightness to prevent leaks.

### Final Inspection and Testing

1. Turn on the water supply and inspect for any leaks at the connections.
2. Test the Mixer and Filter Control Handle to ensure proper functionality.

### Maintenance

Regular maintenance is advised to maintain the efficiency and longevity of the product.

# Nero

