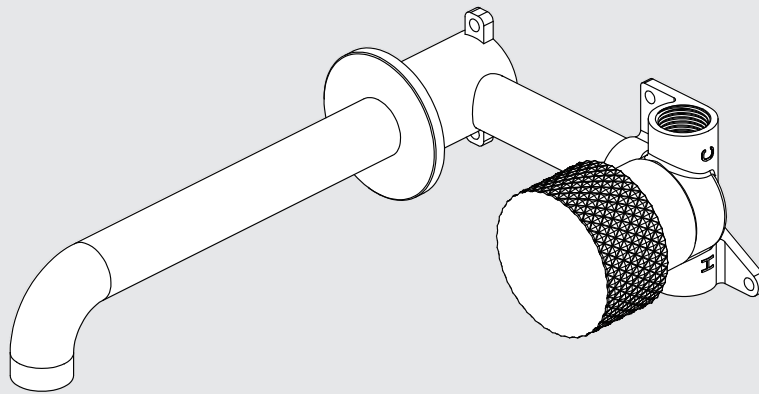


Opal Progressive Wall Basin/Bath Set

Nero



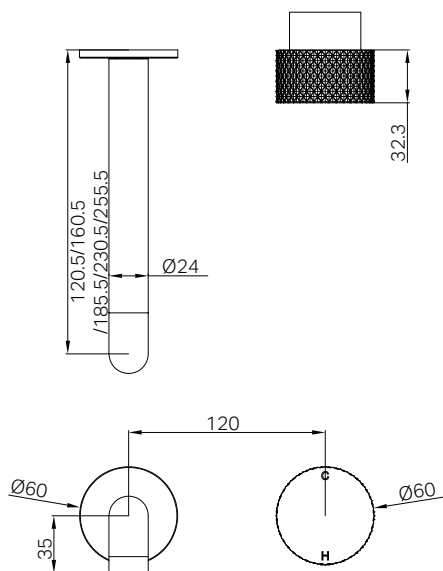
Lead Free



Versions:202506



Drawing



Specifications

Watermark License
WM-060073

Temperature Rating
Min 1°C-Max 75°C

Pressure Rating
Min 150kpa - Max 500kpa

Finish

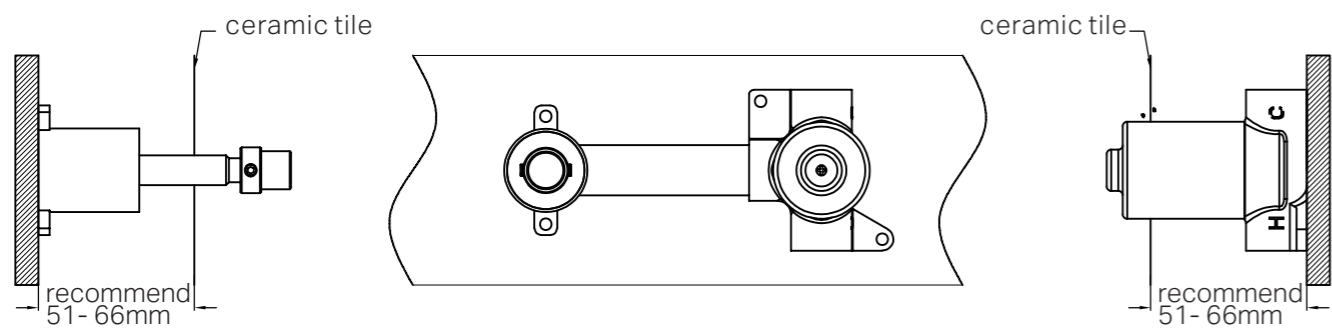
- | | | | |
|---|---|---|---|
|  | Brushed Bronze
NR252007a(120/160/185/230/260)BZ |  | Graphite
NR252007a(120/160/185/230/260)GR |
|  | Brushed Gold
NR252007a(120/160/185/230/260)BG |  | Brushed Nickel
NR252007a(120/160/185/230/260)BN |

Group Item

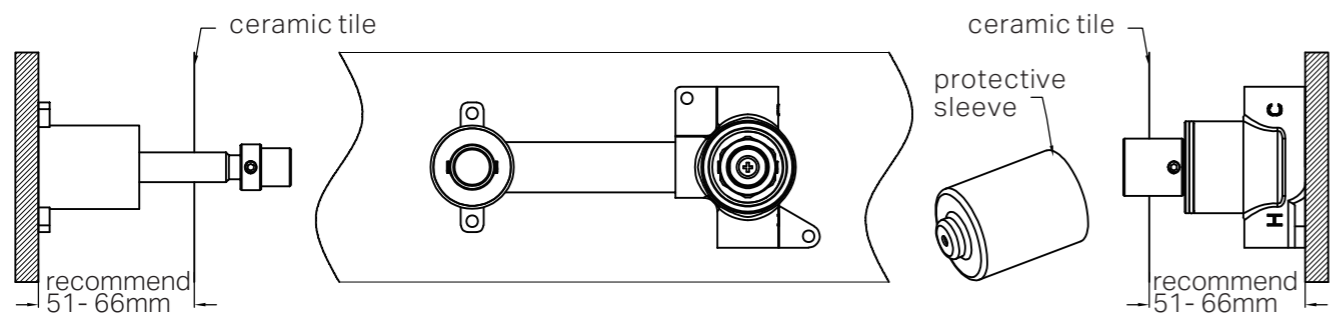
1x Universal Body
1x Trim Kits Only

*Dimensions are nominal measurements only
**Includes an additional non-restricting aerator for bath use

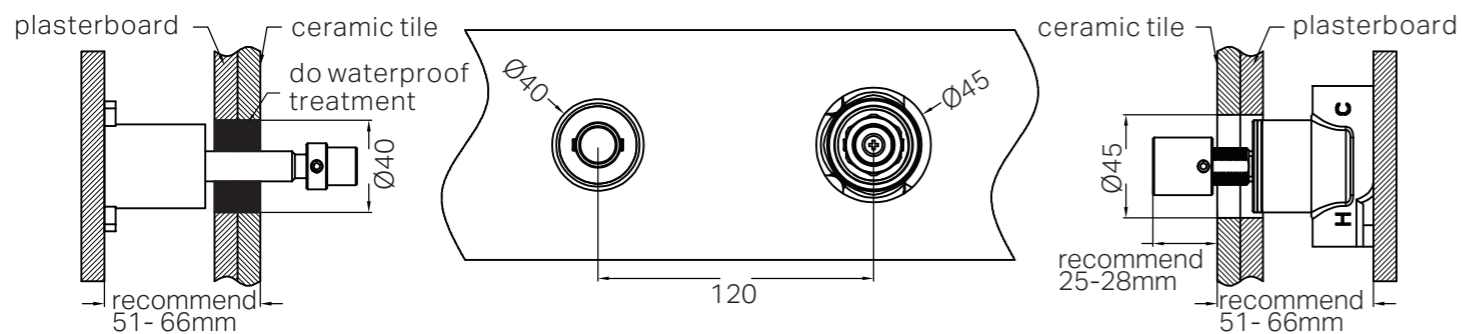
Installation Instruction For Body Only



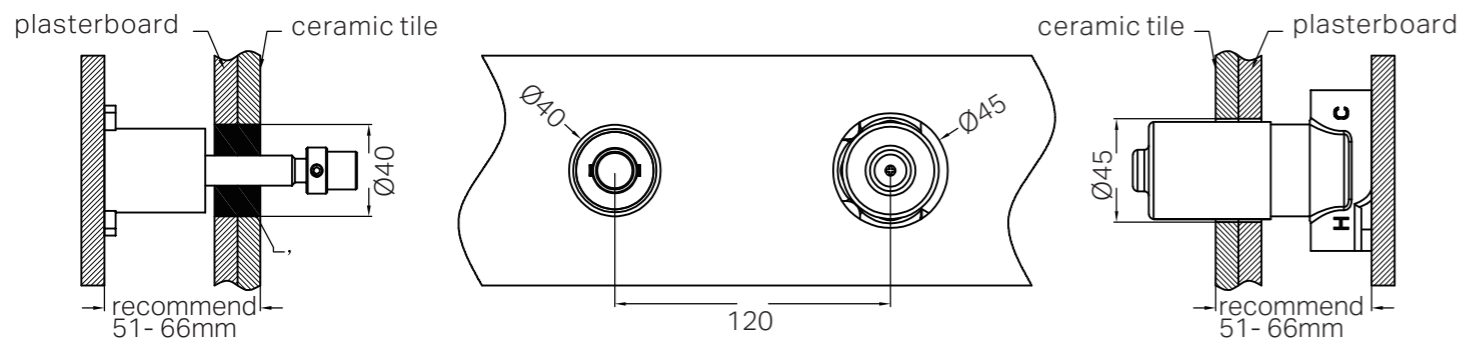
1. Fix body on nogging and ensure installation depth is 51-66mm from nogging to ceramic tile.



2. Connect cold water hose and hot water hose, take off protective sleeve and conduct water pressure test for leak.

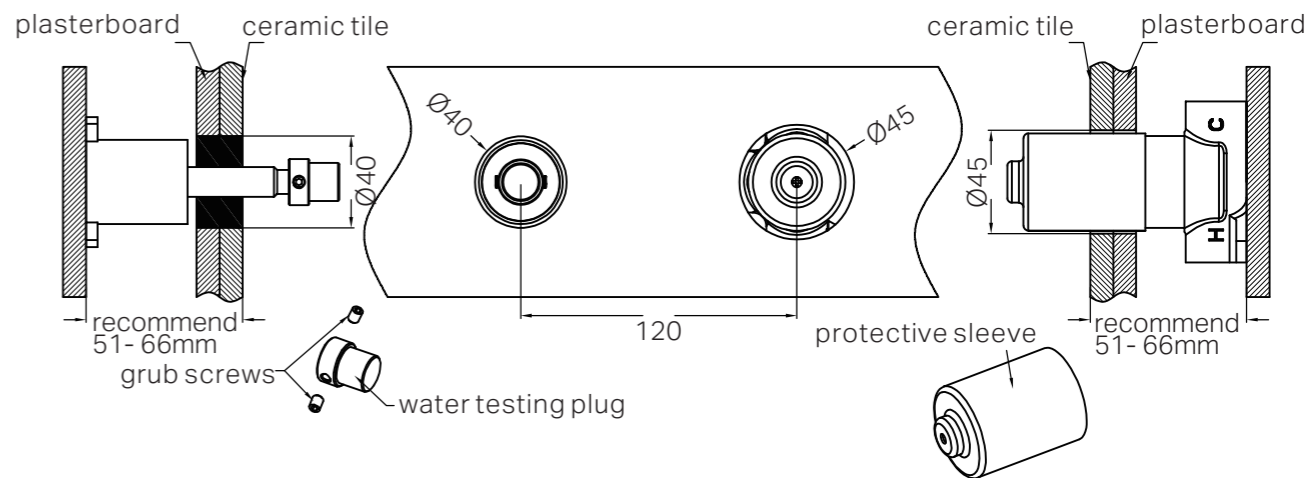


3. Adjust connecting rod and ensure depth is 25-28mm from the front of adaptor to ceramic tile. Drill a $\phi 45$ and a $\phi 40$ holes on plasterboard and ceramic tile for the body, according to above picture. Then install plasterboard and do waterproof for the whole plasterboard. Install ceramic tile and do waterproof for the gap between spout outlet and plasterboard and ceramic tile.

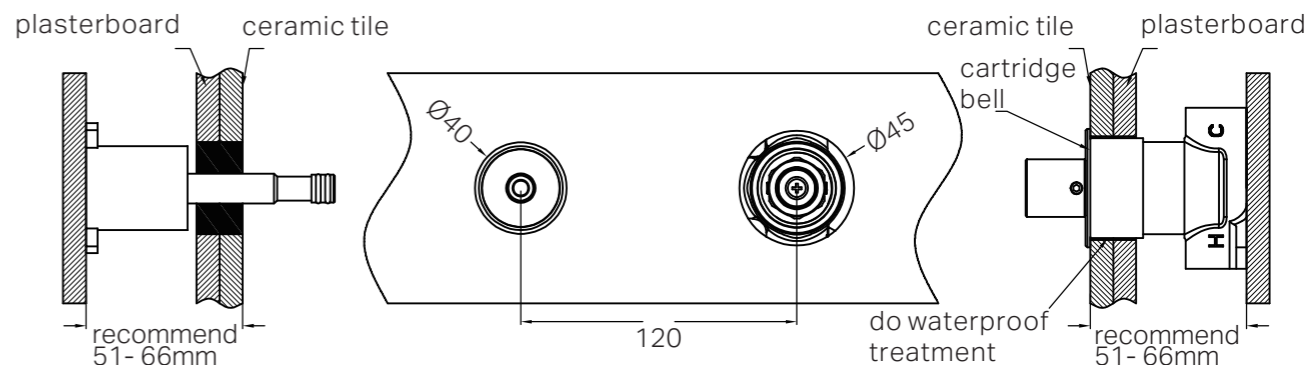


4. Install protective sleeve back to the body.

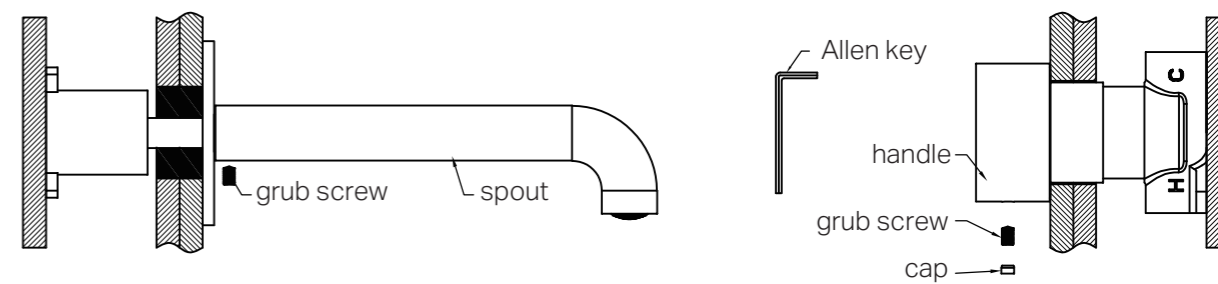
Installation Instruction For Trim Kits Only



1. Remove protective sleeve, grub screw and water testing plug.

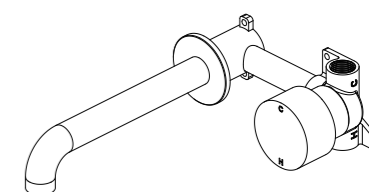


2. Put cartridge bell onto body and do waterproof treatment for the gap between cartridge bell and plasterboard and ceramic tile.



3. Put plate, washer and spout onto body successively, tighten grub screw of spout firmly by allen key.

4. Make hand wheel into connecting rod, turn the hand wheel counterclockwise to the end. Then reinstall the hand wheel, make the "C" should be on twelve o'clock direction and "H" on the six o'clock direction, according to above picture. Then tighten grub screw of hand wheel by allen key, put cap into hand wheel.



Nero

