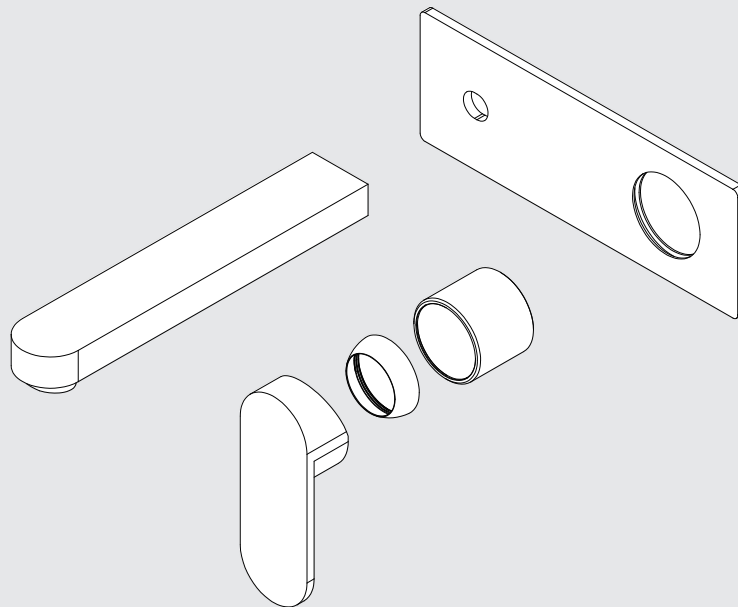


Ecco Wall Basin/Bath Mixer Trim Kits Only

Nero

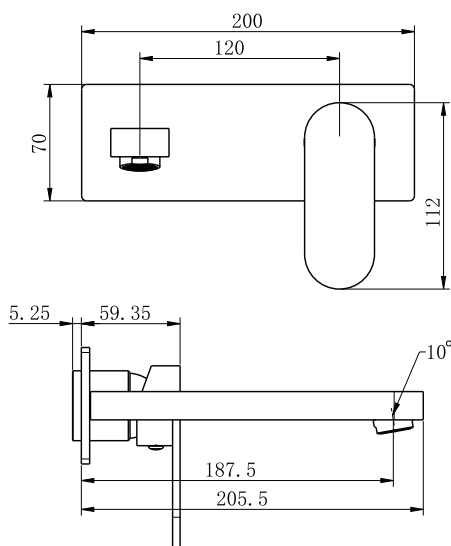


Lead Free



Versions:202506

Drawing



Specifications

Watermark License

WM-060073

Temperature Rating

Min 1°C - Max 75°C

Pressure Rating

Min 150kpa - Max 500kpa

Finish & SKU

● Chrome
NR301310atCH

● Gun Metal
NR301310atGM

● Brushed Nickel
NR301310atBN

● Matte Black
NR301310atMB

● Brushed Gold
NR301310atBG

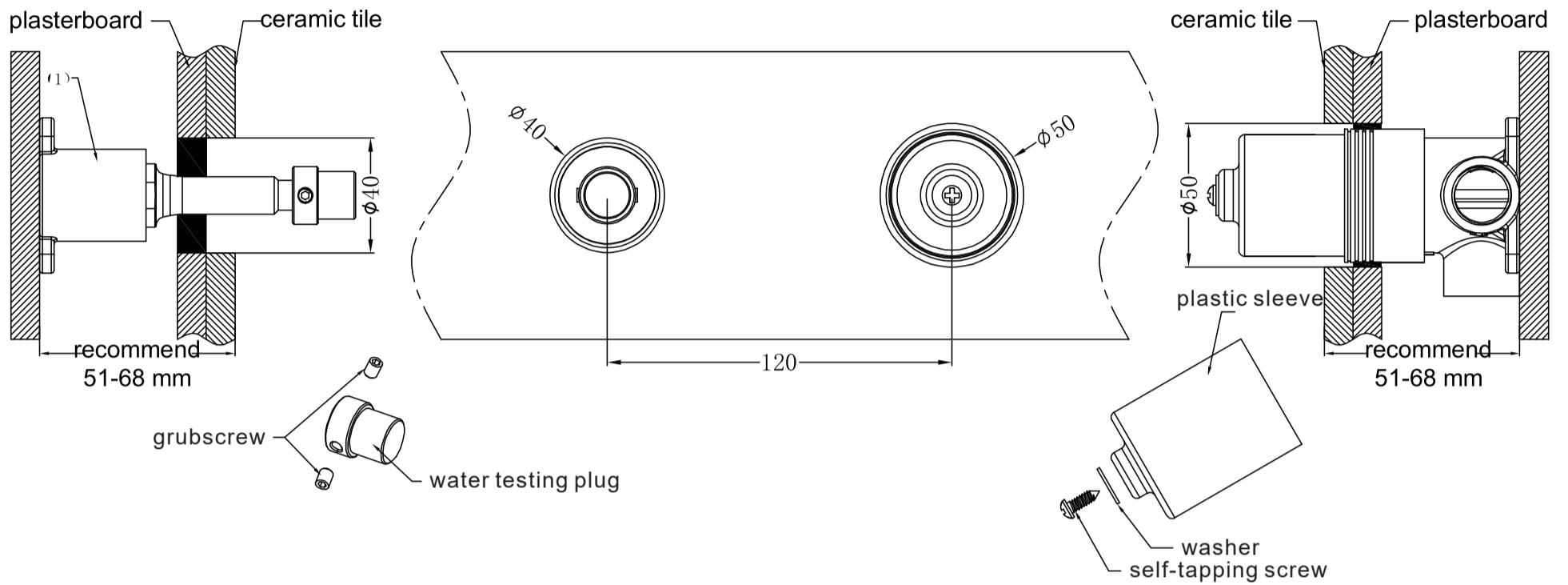
Packaging Includes

- 1x Plate
- 1x Handle
- 1x Spout
- 1x Cartridge Bell
- 1x Dressing Ring
- 1x Non-Restricting Aerator

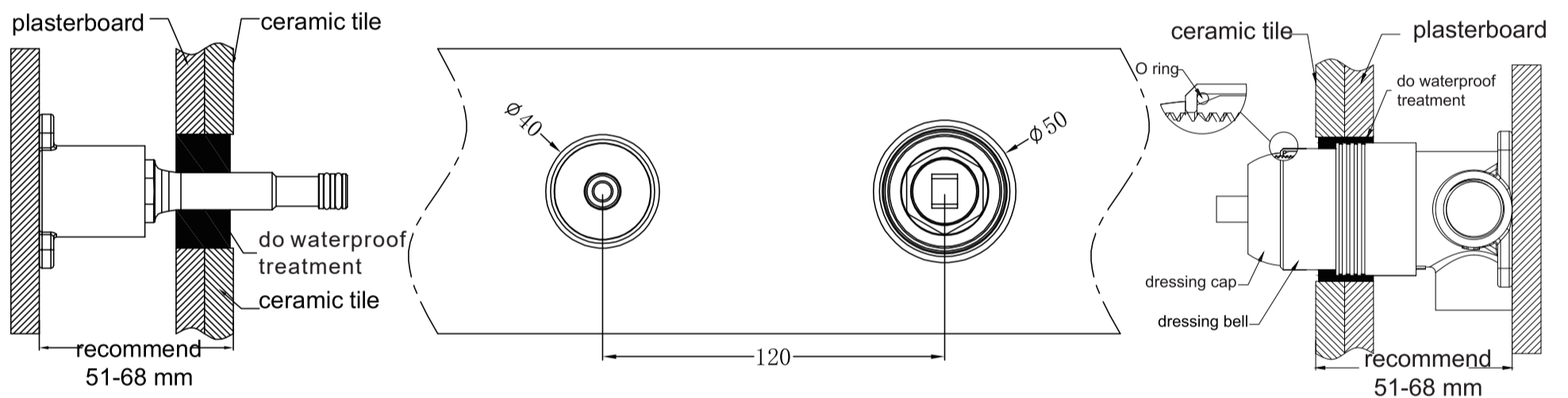
*Dimensions are nominal measurements only

**Includes an additional non-restricting aerator for bath use

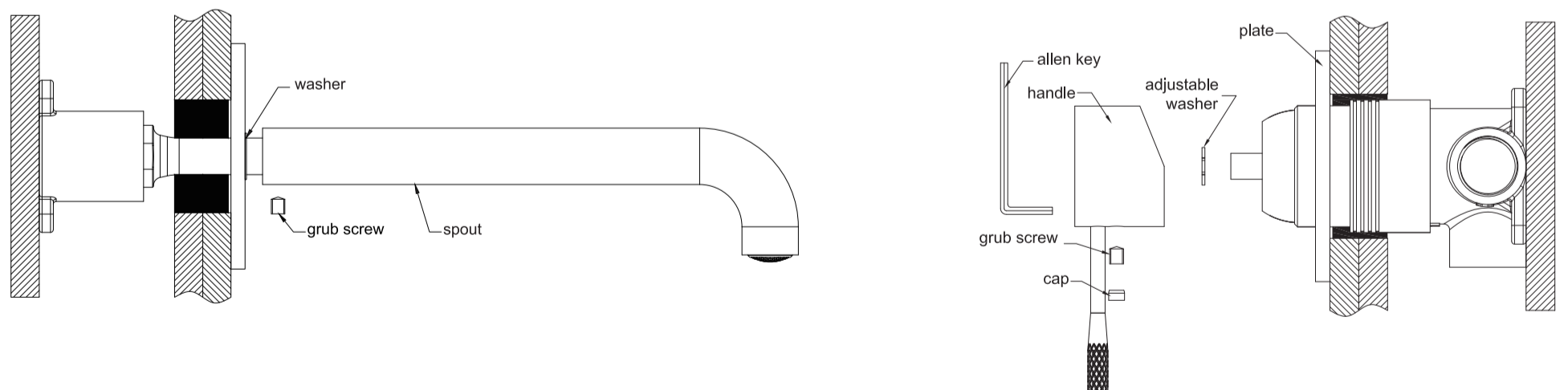
Installation Instruction For Trim Kits Only



1. Drill a $\phi 50\text{mm}$ and a $\phi 40\text{mm}$ hole in the ceramic tile, then position it as shown in the above diagram.
2. Undo the self-taping screw to remove the plastic sleeve, and release the grub screws to remove the water testing plug.



3. Insert the O ring to the dressing bell groove, and slide the dressing bell onto cartridge.
4. Apply waterproof treatment to the area indicated in the diagram above.
5. Tighten up the dressing ring on the cartridge bell.



6. Slide the backplate and washer onto the wall, set the spout in place, and secure it tightly using the grub screw.
7. Attach the washer to the cartridge rod, position the handle, tighten it with a grub screw using an Allen key, and cap the grub screw hole.

Please note: there is a washer between backplate and the spout.

Nero

