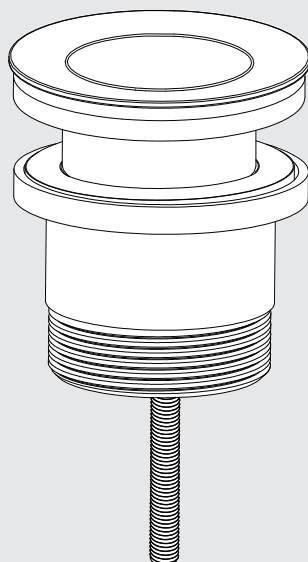


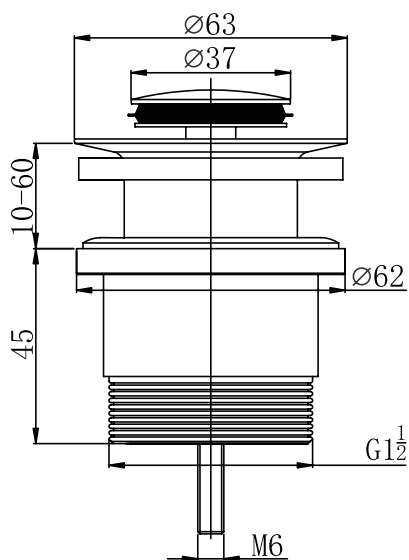
Universal Project Pop Up Waste

Nero



Versions:202506

Drawing



Specifications

SKU

NRA471

Watermark License

WMK26021

Finish

● Chrome
NRA471CH

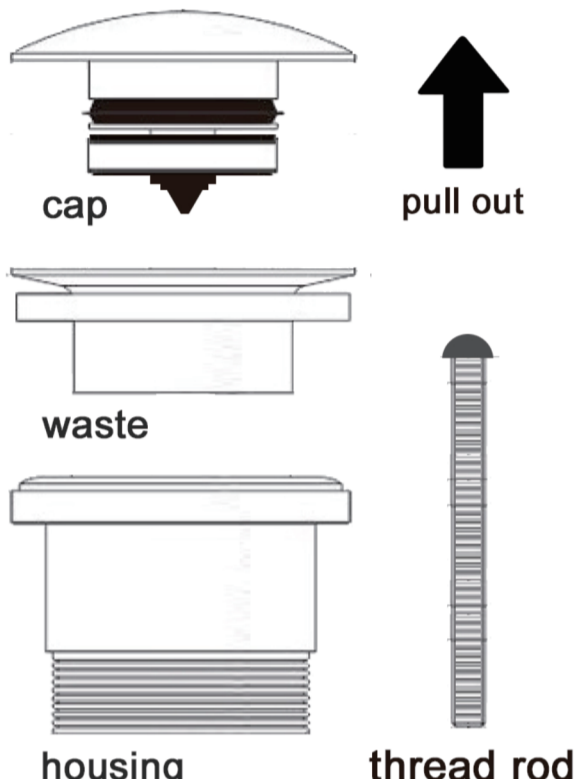
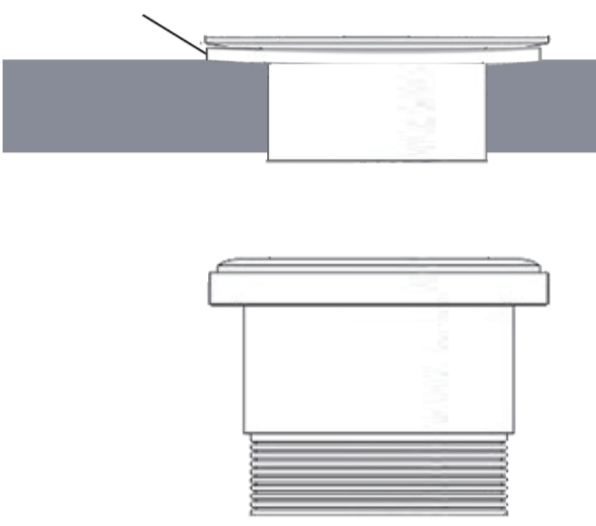
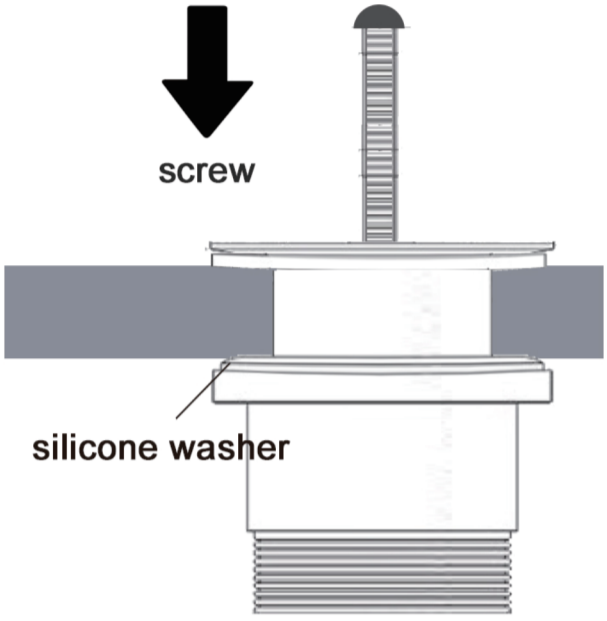
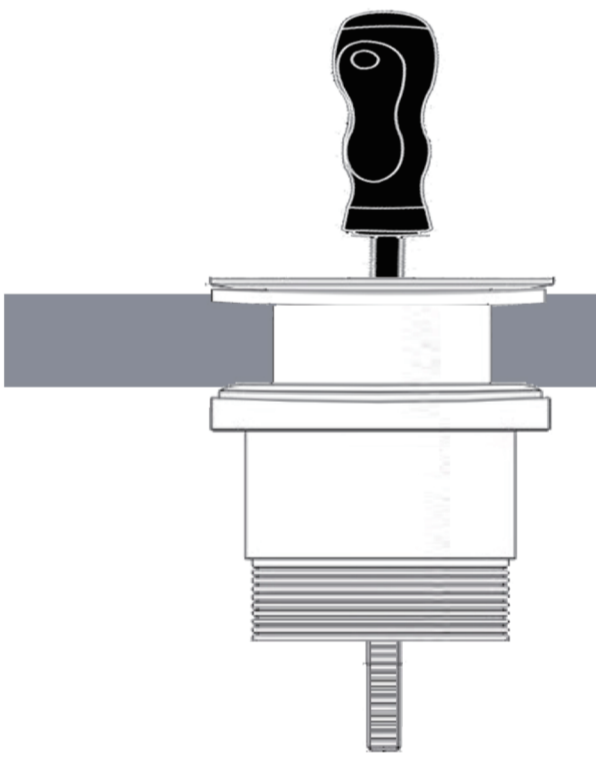
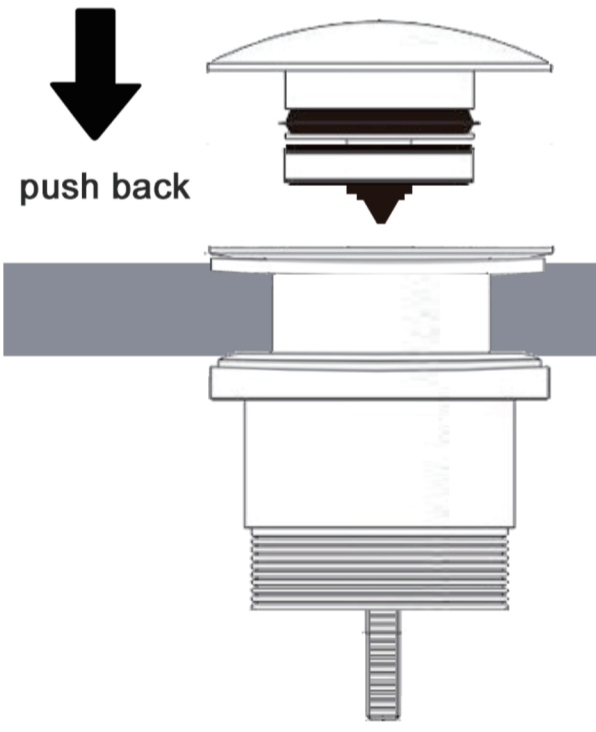
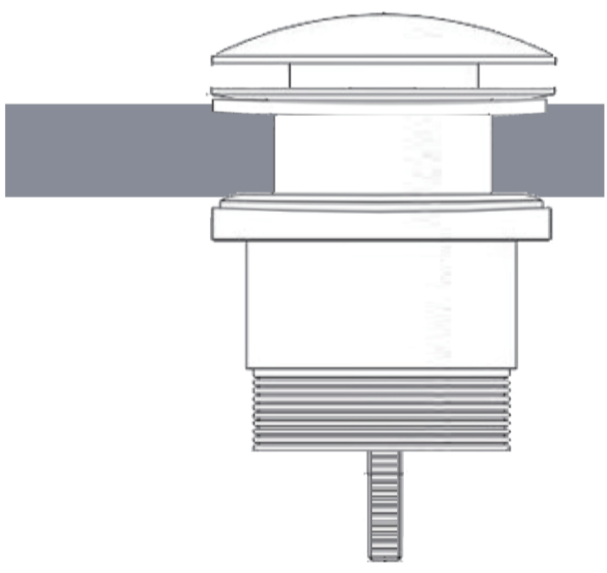
● Matte Black
NRA471MB

Packaging Includes

1x pop up waste

*Dimensions are nominal measurements only.

Installation Instruction

 <p>cap waste housing thread rod</p> <p>↑ pull out</p> <p>1. Disassemble pop-up waste by pulling out the cap and unscrewing the housing from the thread rod.</p>	 <p>white foam washer</p> <p>2. Put waste through in basin hole and make white foam washer fitted to upper side of the basin.</p>	 <p>↓ screw</p> <p>silicone washer</p> <p>3. Put the housing covering on basin hole at bottom side. Screw thread rod through waste and housing in a row.</p>
 <p>4. Tighten up the thread rod by screw driver.</p>	 <p>↓ push back</p> <p>5. Push back the cap.</p>	 <p>6. Finish, and check for leaks.</p>

Nero

