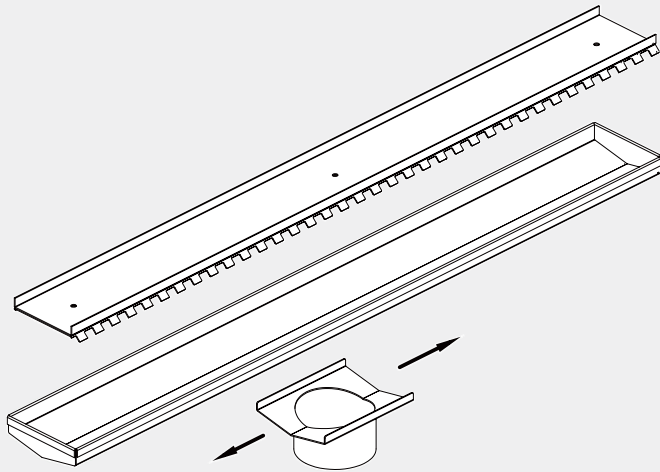


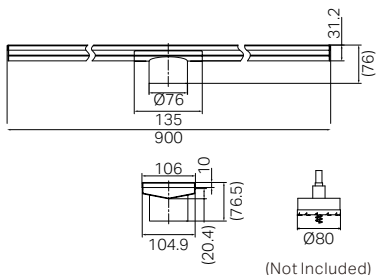
Tile Insert V Channel 900x106mm Floor Grate 80mm Outlet

Nero



Version : 202510

Drawing



Specifications

Watermark License
WM-032203

Group Items

1x Floor Grate
1x 80mm Outlet

Finish & SKU

 **Chrome**
NRFG003HSBN

 **Gun Metal**
NRFG003HSGM

 **Brushed Bronze**
NRFG003HSBZ

 **Matte Black**
NRFG003HSMB

 **Brushed Gold**
NRFG003HSBG

NOTE:

1. Suitable for 80mm DWV outlet.
2. Hole saw is not included. It can be purchased separately. Code is NR003HS.

*Dimensions are nominal measurements only

INSTALLATION INSTRUCTIONS

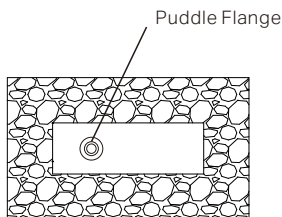
GENERAL INSTRUCTIONS:

- This product must be installed by a licensed plumber. Ensure that your plumbing installation complies with the Australian/New Zealand Standard AS/NZS 3500.
- Do not pour concrete around floor grate. Use timber formwork and install the grate only after concrete has fully cured.
- Apply a waterproof membrane compliant with AS 3740 between the substrate and finished tile surface before laying tiles.

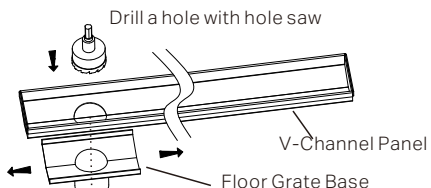
IMPORTANT NOTES FOR INSTALLATION

- Confirm a puddle flange has been correctly installed and is compatible with the outlet pipe.
- Reserve sufficient installation space around the outlet.
- Ensure all parts are clean and free from debris, adhesive or sealant.

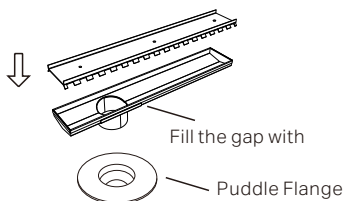
INSTALLATION STEPS



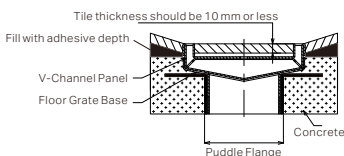
01. Confirm a puddle flange has been correctly installed and is compatible with the outlet pipe.



02. Drill a hole in the V-Channel Panel using the provided hole saw, aligned to the drainage point.



03. Install all the parts as shown in the diagram.
NOTE: seal around the contact area using sanitary-grade silicone.



04. Lay the floor tiles and ensure the tiles have an appropriate slope toward the floor grate to make the water flow efficiently into the grate.
NOTE: the thickness of the tile should not exceed 10mm.

Final Placement and Cleaning:

Clean up and check for leaks.

MAINTENANCE AND CARE:

- Clean the grate with a soft cloth or non-abrasive brush.
- Avoid sharp or metallic tools when clearing blockages.
- If clogging occurs, use a plunger or soft drain snake.
- Do not use harsh chemical cleaners that may damage the finish or membrane.

Nero

