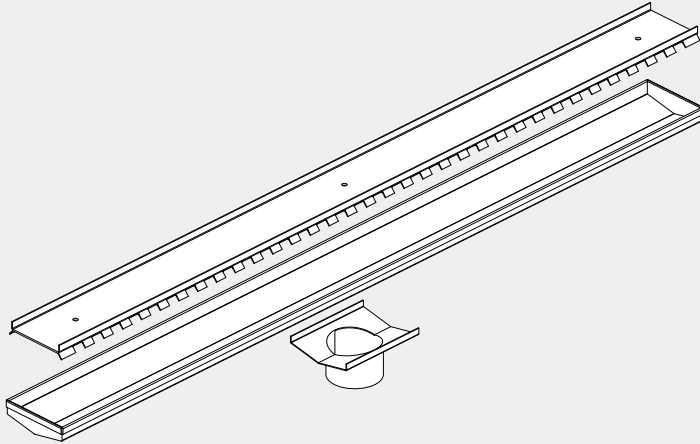


# Tile Insert V Channel

## 1200x106mm Floor Grate

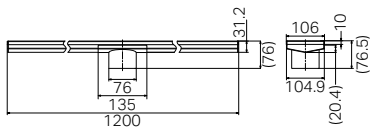
### 80mm Outlet

# Nero



Version : 202510

#### Drawing



Ø80  
(Not Included)

#### Specifications

Watermark License  
WM-032203

#### Group Items

1x Floor Grate  
1x 80mm Outlet

#### Finish & SKU

- |   |  |  |
|---|--|--|
|  <b>Chrome</b><br>NRFG009HSBN      |  <b>Gun Metal</b><br>NRFG009HSGM    |  <b>Brushed Bronze</b><br>NRFG009HSBZ |
|  <b>Matte Black</b><br>NRFG009HSMB |  <b>Brushed Gold</b><br>NRFG009HSBG |  |

#### NOTE:

1. Suitable for 80mm DWV outlet.
2. Hole saw is not included, it can be purchased separately. Code is NR003HS.

\*Dimensions are nominal measurements only

## INSTALLATION INSTRUCTIONS

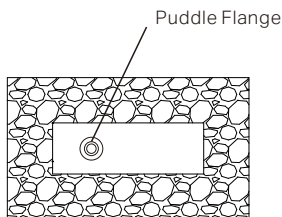
### GENERAL INSTRUCTIONS:

- This product must be installed by a licensed plumber. Ensure that your plumbing installation complies with the Australian/New Zealand Standard AS/NZS 3500.
- Do not pour concrete around floor grate. Use timber formwork and install the grate only after concrete has fully cured.
- Apply a waterproof membrane compliant with AS 3740 between the substrate and finished tile surface before laying tiles.

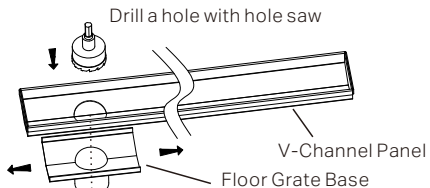
## IMPORTANT NOTES FOR INSTALLATION

- Confirm a puddle flange has been correctly installed and is compatible with the outlet pipe.
- Reserve sufficient installation space around the outlet.
- Ensure all parts are clean and free from debris, adhesive or sealant.

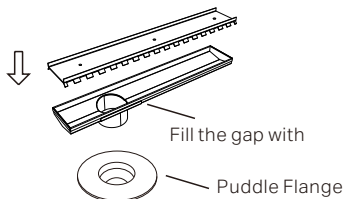
## INSTALLATION STEPS



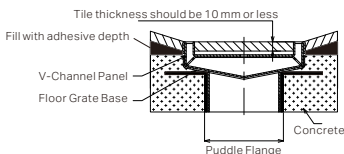
01. Confirm a puddle flange has been correctly installed and is compatible with the outlet pipe.



02. Drill a hole in the V-Channel Panel using the hole saw provided, aligned to the drainage point.



03. Install all the parts as shown in the diagram.  
NOTE: seal around the contact area using sanitary-grade silicone.



04. Lay the floor tiles and ensure the tiles have an appropriate slope toward the floor grate to make the water flow efficiently into the grate.  
NOTE: the thickness of the tile should not exceed 10mm.

### Final Placement and Cleaning:

Clean up and check for leaks.

### MAINTENANCE AND CARE:

- Clean the grate with a soft cloth or non-abrasive brush.
- Avoid sharp or metallic tools when clearing blockages.
- If clogging occurs, use a plunger or soft drain snake.
- Do not use harsh chemical cleaners that may damage the finish or membrane.

# Nero

