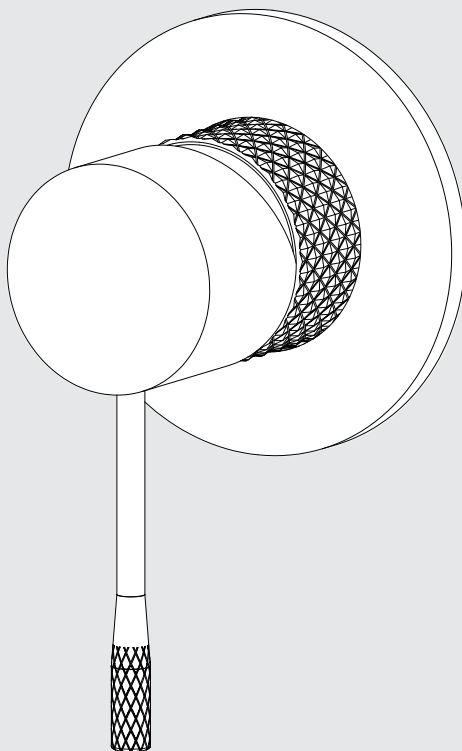


# Opal Shower Mixer 80mm Plate

# Nero

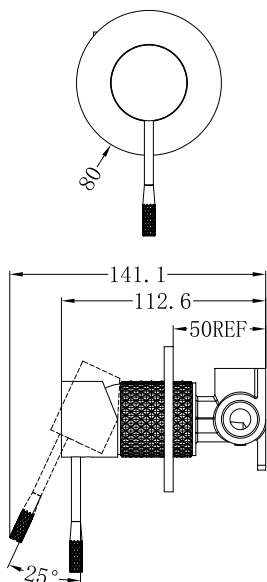


Lead Free



Versions:202506

## Drawing



## Specifications

### Watermark License

WM-060073

### Temperature Rating

Min 1°C-Max 75°C

### Pressure Rating

Min 150kpa - Max 500kpa

## Packaging Includes

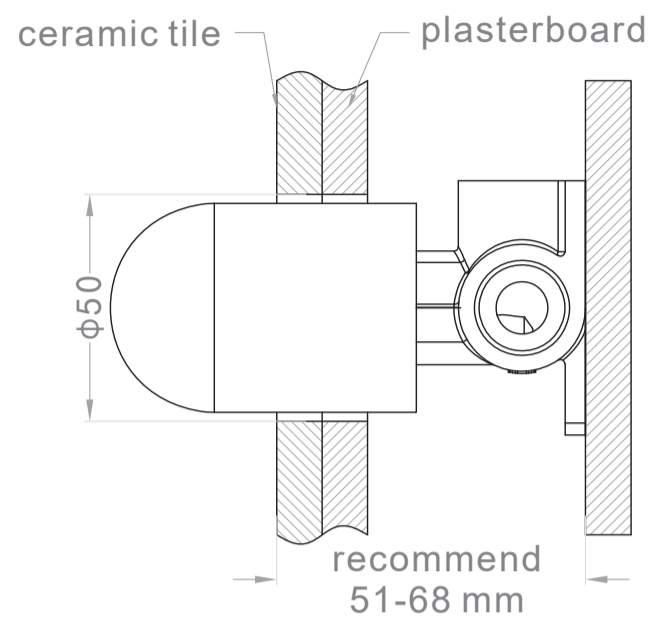
- 1x Mixer Body
- 1x Handle
- 1x Plate
- 1x Accessories Pouch

## Finish & SKU

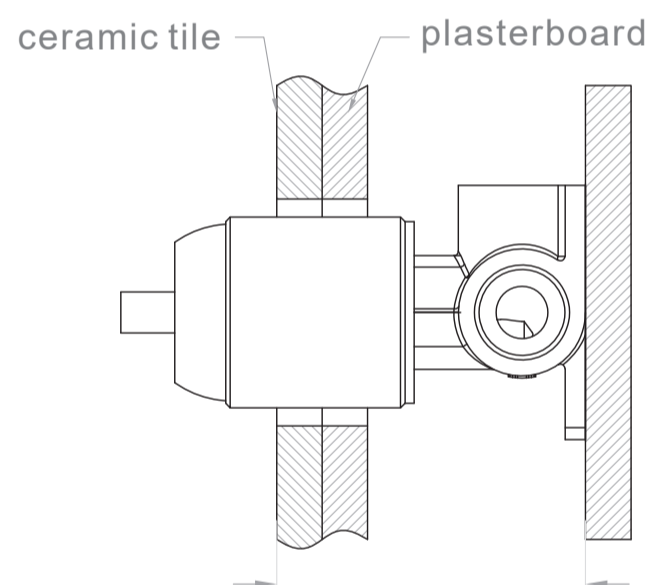
- |                                                                                                                         |                                                                                                                         |
|-------------------------------------------------------------------------------------------------------------------------|-------------------------------------------------------------------------------------------------------------------------|
|  <b>Brushed Bronze</b><br>NR251909BZ |  <b>Graphite</b><br>NR251909GR       |
|  <b>Brushed Gold</b><br>NR251909BG   |  <b>Brushed Nickel</b><br>NR251909BN |

\*Dimensions are nominal measurements only.

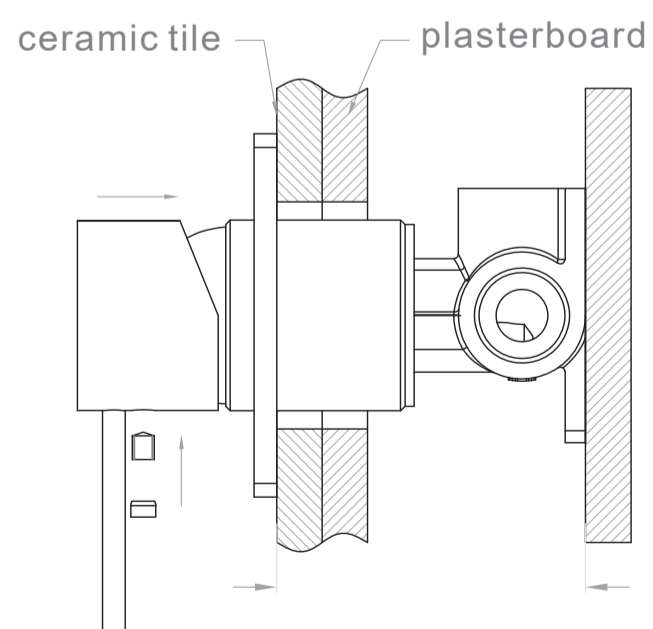
# Installation Instruction



1. Fix body on noggin and ensure installation depth is 51-68mm from noggin to ceramic tile.
2. Connect cold water hose and hot water hose and test for leakage.
3. Install plasterboard and ceramic tile after drilling a φ50 hole according to above picture.



4. Remove the plastic sleeve of body.



5. Install plate and handle.

# Nero

