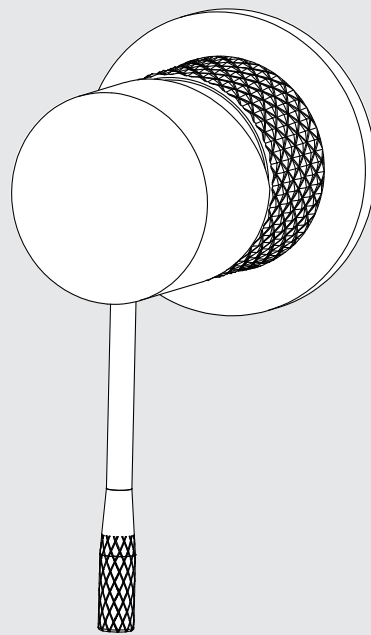
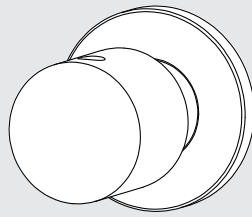


# Opal Shower Mixer With Diverter Separate Plate

# Nero

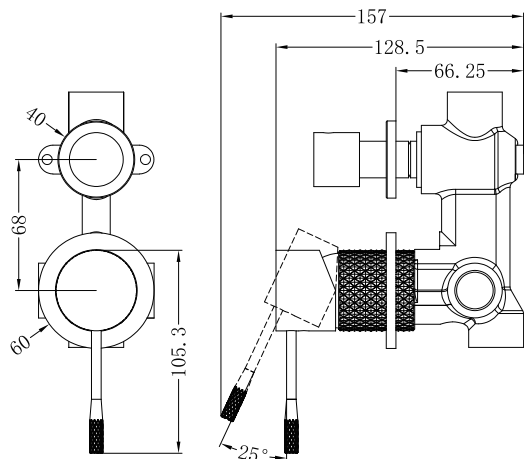


Lead Free



Versions:202506

## Drawing



## Specifications

### Watermark License

WM-060073

### Temperature Rating

Min 1°C - Max 75°C

### Pressure Rating

Min 150kpa - Max 500kpa

## Finish & SKU

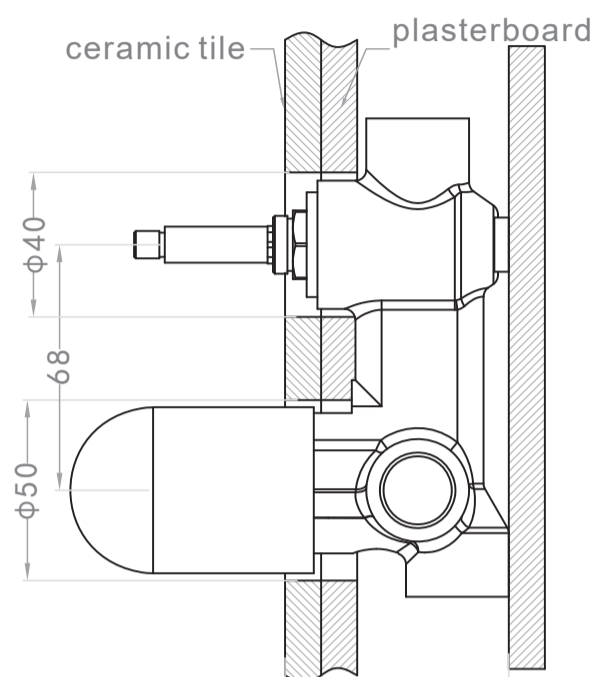
 <b>Brushed Bronze</b> NR251909eBZ	 <b>Graphite</b> NR251909eGR
 <b>Brushed Gold</b> NR251909eBG	 <b>Brushed Nickel</b> NR251909eBN

## Packaging Includes

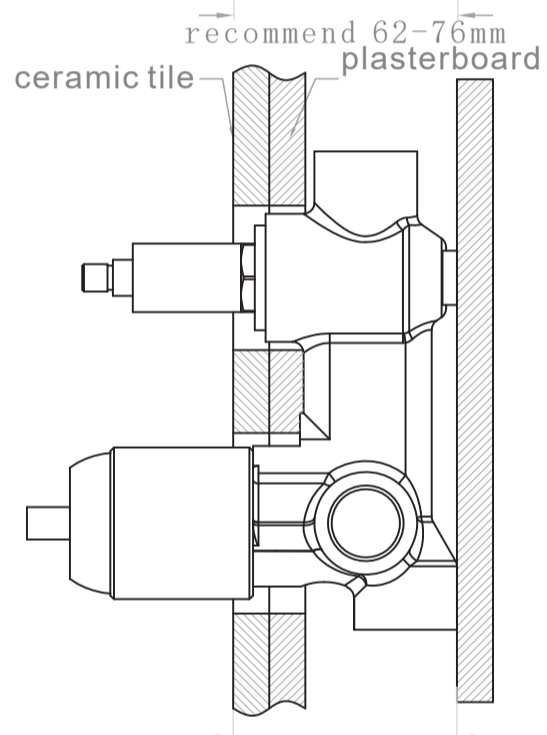
1x Mixer Body  
1x Handle  
2x Plates  
1x Diverter Knob  
1x Accessories Pouch

\*Dimensions are nominal measurements only.

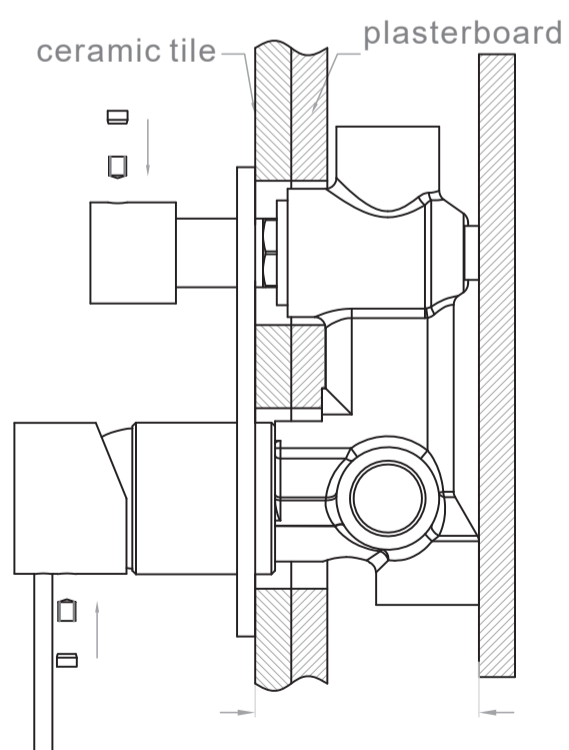
# Installation Instruction



1. Fix body on noggin and ensure installation depth is 62-76mm from noggin to ceramic tile.
2. Connect cold water hose and hot water hose and test for leakage.
3. Install plasterboard and ceramic tile after drilling a  $\phi 50$  and a  $\phi 40$  hole according to the right drawing.



4. Remove the plastic sleeve and install sleeve of Diverter.



5. Install plates, handle and knob.

# Nero

